



Procurement and Contracting Services

Request for Proposals High Pressure Air Receivers

ADDENDUM #1

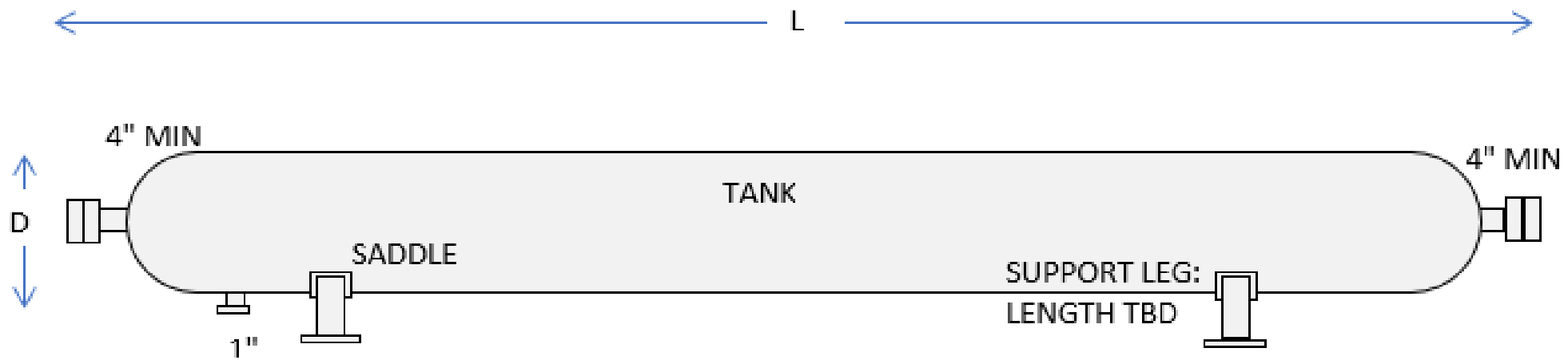
**Please mark all proposal submission
Envelopes with the following information**

**Sealed RFP # L192302
Due on August 9, 2022 no later than 2:00 PM, MST**

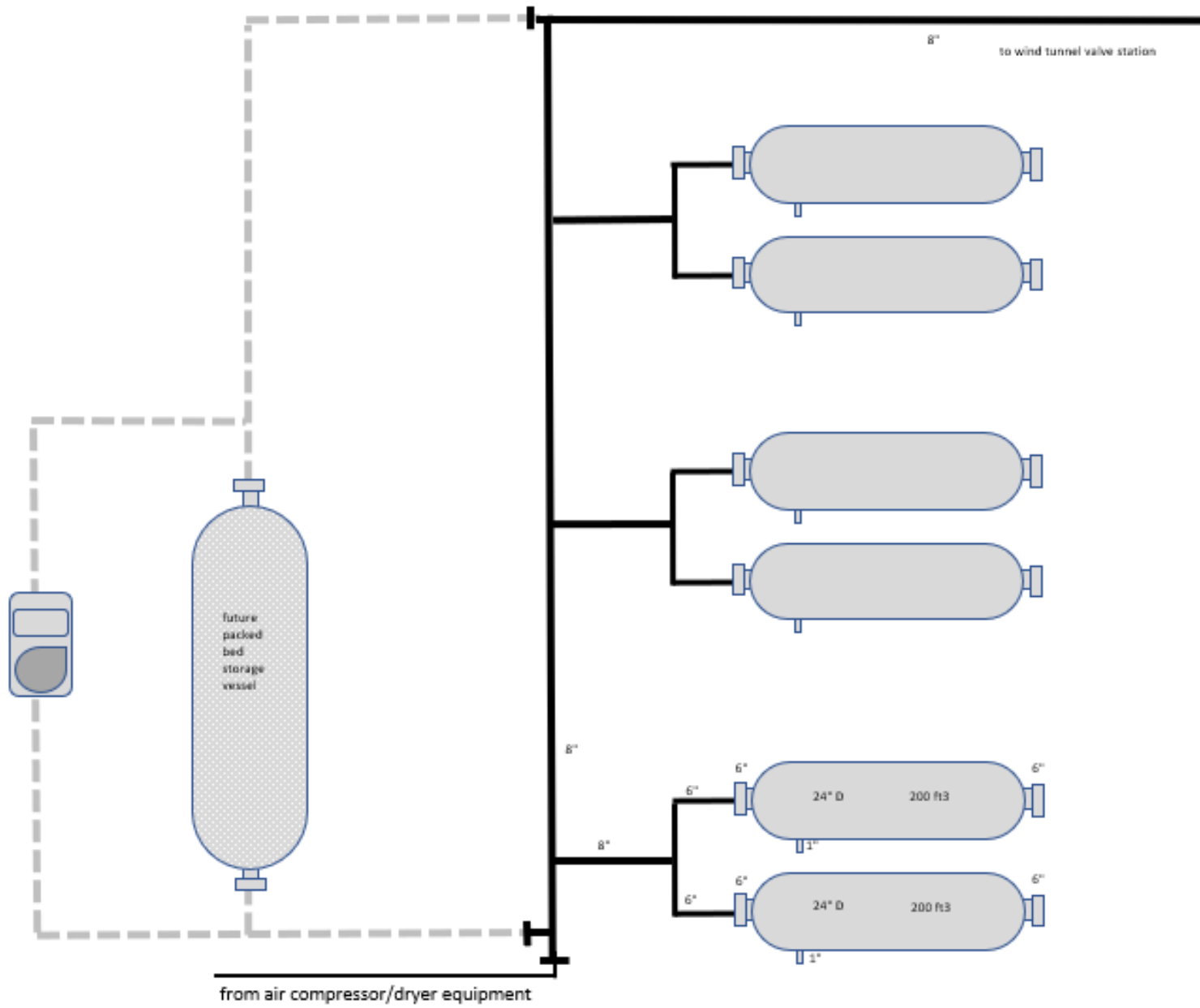
The following questions were received prior to the close of the Technical Question period on July 28, 2022 at 12:00 PM MST:

1. Is the University interested in a ASME Sect. VIII Div II option?
Yes- the University will evaluate a voluntary option for ASME BPVC Section viii, Div 2
2. In the spec it calls out a Length Restriction (50'), but is there a Height/Width Restriction for the vessel/s?
The University will evaluate pressure vessels or assemblies of multiple vessels on a structural frame having maximum dimensions no more than 50' long, 20' high, 15' wide. Configurations within a dimensional envelope of 30' long, 15' high, 12' wide are preferred.
3. Can you provide a higher resolution drawing of the one shown on Page 25?
PDF Attached
4. Is there an anticipated award date for this one?
We intend to award as soon as possible after review of all proposals and confirm our selection

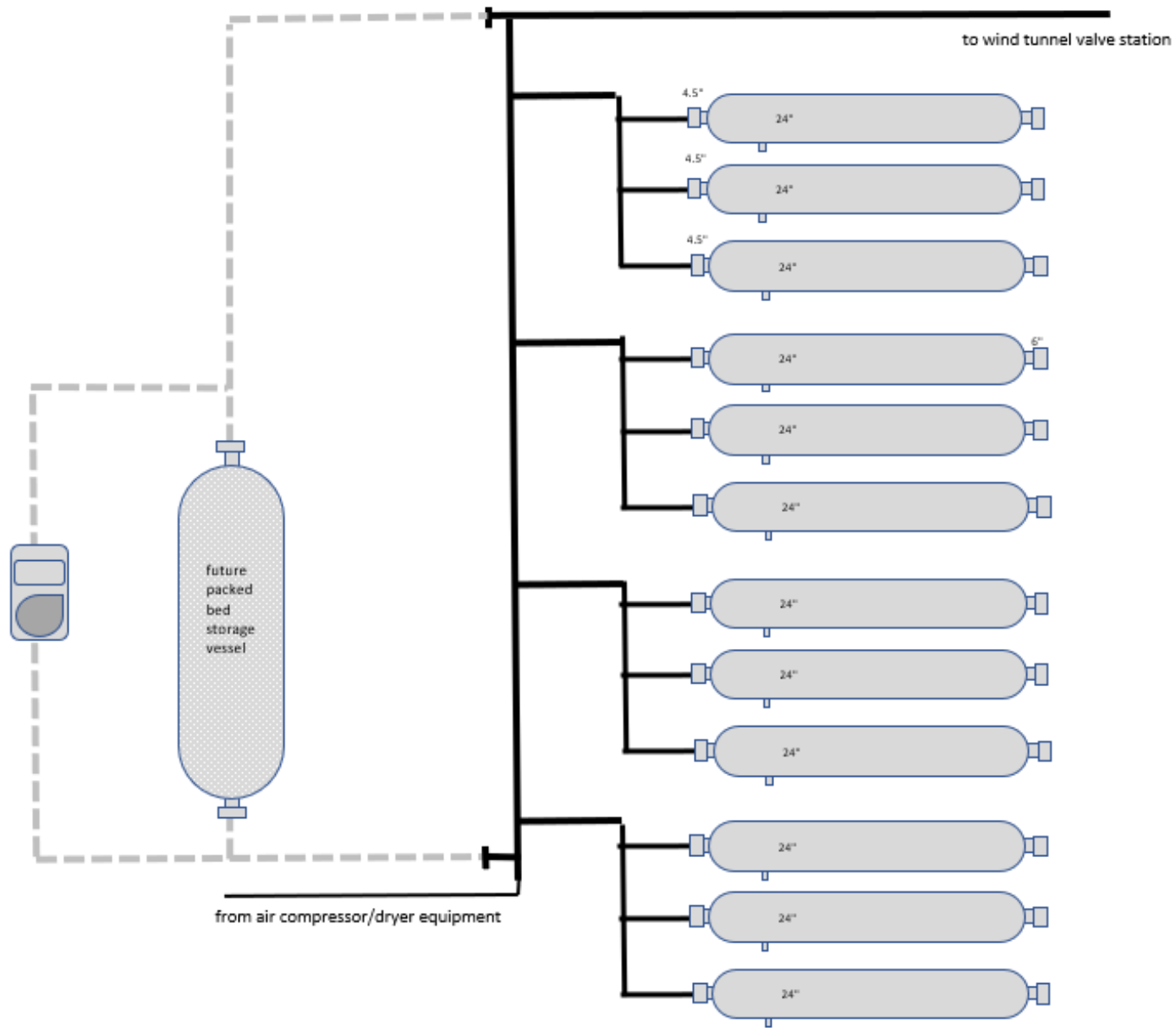
End of addendum, all else remains the same.



1- Individual Tank configuration



2 a Alternative tank arrangements 1150 ft³ minimum total volume



2 b Alternative tank arrangements 1150 ft³ minimum total volume